

PRELIMINARY FILTERS

FWPb, FWPk, FWKb, FWKk

Nominal diameter range: 10 to 300 mm.

Preliminary filters are designed for application in cooling, gas, liquid fuels, solvent, oil and break fluids installations as well as in other installations with non-aggressive media. Filters are used for purifying installation media from pollutants, which prevents systems and equipment from operational incidents and extends their lifespan. They can be either throughway or angle valves, with or without flanges.

The filter cartridge is made of a frame coated with steel, chrome-nickel or other mesh. Additionally, zinc plating makes the cartridge corrosion-proof. Net mesh size: 0.16 – 1 mm, as ordered.

There are also elongated filters that differ from the standard ones in casing height and the length of the filter cartridge, which naturally increases the filtering surface while maintaining the same DN.

Flangeless valves are equipped with connector pipes with dimensions in accordance with PN-80/H-74219 norm and with DIN 2448 standard (marked additionally with symbol: /D).

Working parameters for FWPb 10-300, FWKb 10-300:
working pressure: 25 bar, temperature range: - 40°C / +150°C.

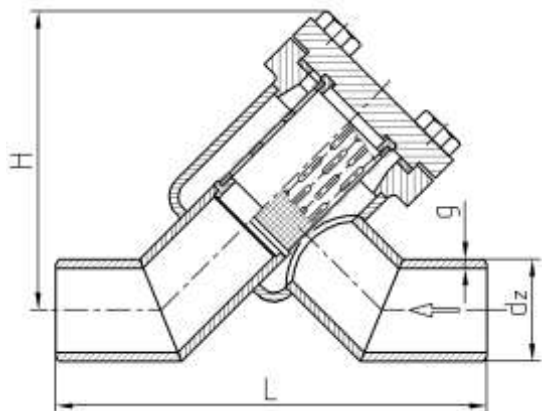
Working parameters for FWPk 10-300, FWKk 10-300:
working pressure: 25 bar, temperature range: - 40°C / +150°C.

Working medium: ammonia, freons, LPG, air and other non-aggressive gases.

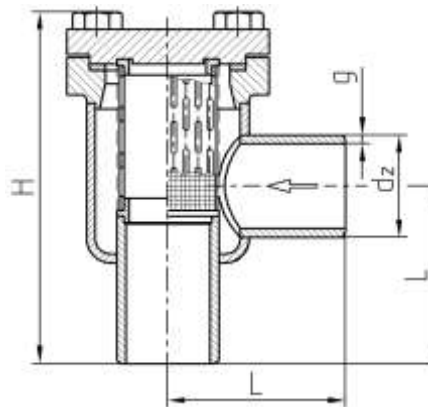


PRELIMINARY FILTERS FLANGELESS

FWPb – PRELIMINARY THROUGHWAY FLANGELESS FILTER (FOR WELDING).



FWKb – ANGLE PRELIMINARY FLANGELESS FILTER



PRELIMINARY FLANGELESS FILTER – dimensions (mm)

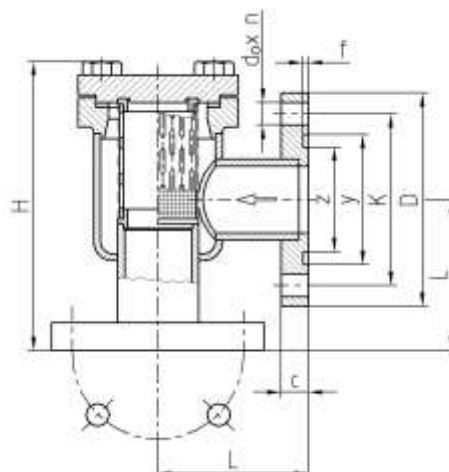
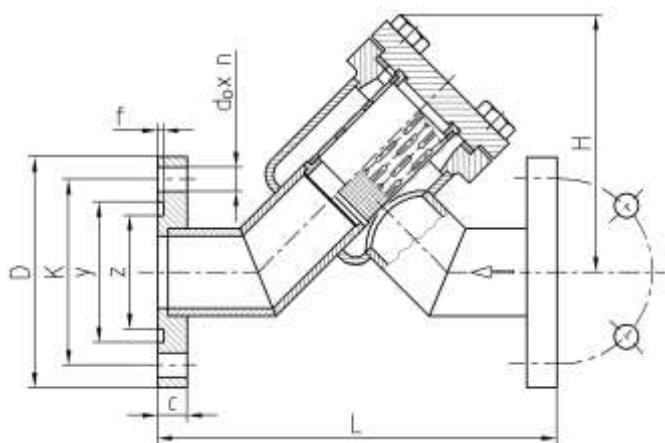
Typ i DN	dzxg	L	H	Masa [kg]
FWPb 10	14 x 2,5	120	92	1,0
FWPb 10/D	17,2 x 2,5			
FWPb 15	20 x 3,2	130	95	1,4
FWPb 15/D	21,3 x 3,2			
FWPb 20	25 x 3,2	150	105	1,5
FWPb 20/D	26,9 x 3,2			
FWPb 25	30 x 3,2	137	96	1,6
FWPb 25/D	33,7 x 3,2			
FWPb 32	38 x 3,6	166	126	2,1
FWPb 32/D	42,4 x 3,2			
FWPb 40	44,5 x 3,6	177	130	2,9
FWPb 40/D	48,3 x 3,6			
FWPb 50	57 x 4	207	162	5,1
FWPb 50/D	60,3 x 3,6			
FWPb 65	76,1 x 4	267	188	7,2
FWPb 80	88,9 x 4,5	287	215	9,7
FWPb 100	108 x 5	327	247	16,0
FWPb 100/D	114,3 x 5			
FWPb 125	133 x 6,3	377	292	23,2
FWPb 125/D	139,7 x 6,3			
FWPb 150	159 x 6,3	455	342	35,0
FWPb 150/D	168,3 x 6,3			
FWPb 200	219,1 x 8	572	430	68,9
FWPb 250	273 x 8,8	699	524	86,1
FWPb 300	323,9 x 10	816	530	-

Typ i DN	dzxg	L	H	Masa [kg]
FWKb 10	14 x 2,5	80	136	1,1
FWKb 10/D	17,2 x 2,5			
FWKb 15	20 x 3,2	85	136	1,4
FWKb 15/D	21,3 x 3,2			
FWKb 20	25 x 3,2	88	155	1,5
FWKb 20/D	26,9 x 3,2			
FWKb 25	30 x 3,2	90	155	1,6
FWKb 25/D	33,7 x 3,2			
FWKb 32	38 x 3,6	93	166	2,1
FWKb 32/D	42,4 x 3,2			
FWKb 40	44,5 x 3,6	103	178	2,8
FWKb 40/D	48,3 x 3,6			
FWKb 50	57 x 4	113	204	4,6
FWKb 50/D	60,3 x 3,6			
FWKb 65	76,1 x 4	133	242	6,8
FWKb 80	88,9 x 4,5	143	265	9,2
FWKb 100	108 x 5	163	322	15,1
FWKb 100/D	114,3 x 5			
FWKb 125	133 x 6,3	188	333	21,1
FWKb 125/D	139,7 x 6,3			
FWKb 150	159 x 6,3	212	377	31,3
FWKb 150/D	168,3 x 6,3			
FWKb 200	219,1 x 8	261	500	61,0
FWKb 250	273 x 8,8	310	575	82,0
FWKb 300	323,9 x 10	667	373	-

PRELIMINARY FILTER WITH FLANGES

FWPk – PRELIMINARY THROUGHWAY FILTER WITH FLANGES.

FWKk – PRELIMINARY ANGULAR FILTER WITH FLANGES.



PRELIMINARY THROUGHWAY FILTER WITH FLANGES – dimensions (mm)

Type and DN	L	H	D	K	y	z	f	c	d ₀ xn	Weight kg
FWPk 10	136	92	90	60	35	23	3	14	14x4	2,1
FWPk 15	146	95	95	65	40	28	3	14	14x4	2,4
FWPk 20	166	105	105	75	51	35	3	16	14x4	2,8
FWPk 25	160	112	115	85	58	42	3	16	14x4	3,3
FWPk 32	182	125	140	100	66	50	3	18	18x4	5,8
FWPk 40	200	130	150	110	76	60	3	18	18x4	7,1
FWPk 50	230	160	165	125	88	72	3	20	18x4	10,5
FWPk 65	290	188	185	145	110	94	3	22	18x8	14,5
FWPk 80	310	215	200	160	121	105	3	24	18x8	17,8
FWPk 100	350	247	235	190	150	128	3,5	26	22x8	27,4
FWPk 125	400	295	270	220	176	154	3,5	28	26x8	37,6
FWPk 150	480	340	300	250	204	182	3,5	30	26x8	54,0
FWPk 200	600	430	360	310	260	238	3,5	32	26x12	87,0
FWPk 250	730	524	425	370	313	291	3,5	35	30x12	–
FWPk 300	850	530	485	430	364	342	3,5	38	30x16	–

PRELIMINARY ANGULAR FILTER WITH FLANGES – dimensions (mm)

Typ i DN	L	H	D	K	y	z	f	c	d ₀ xn	Masa kg
FWKk 10	96	140	90	60	35	23	3	14	14x4	2,1
FWKk 15	101	141	95	65	40	28	3	14	14x4	2,4
FWKk 20	105	160	105	75	51	35	3	16	14x4	2,6
FWKk 25	100	165	115	85	58	42	3	16	14x4	2,8
FWKk 32	105	180	140	100	66	50	3	18	18x4	5,8
FWKk 40	115	190	150	110	76	60	3	18	18x4	5,8
FWKk 50	125	220	165	125	88	72	3	20	18x4	8,4
FWKk 65	145	255	185	145	110	94	3	22	18x8	14,2
FWKk 80	155	283	200	160	121	105	3	24	18x8	18,0
FWKk 100	175	340	235	190	150	128	3,5	26	22x8	26,3
FWKk 125	200	356	270	220	176	154	3,5	28	26x8	37,5
FWKk 150	225	390	300	250	204	182	3,5	30	26x8	52,0
FWKk 200	275	510	360	310	260	238	3,5	32	26x12	75,1
FWKk 250	325	590	425	370	313	291	3,5	35	30x12	–
FWKk 300	667	375	485	430	364	342	3,5	38	30x16	–