

# MANOMETER VALVE

## ZMP, ZMK, ZMK-t

Working parameters:

Working pressure: 25 bar, temperature range: - 40°C / +150°C.

Working medium: ammonia, freons, LPG, air and other non-aggressive gases.

**ZMK-t10, ZMK-t35** – Angle manometer valve with a screwed coupling, to be installed on a board of 10 or 35 mm thickness.

**ZMKp** – Angle manometer valve with a plain end (to be welded on).

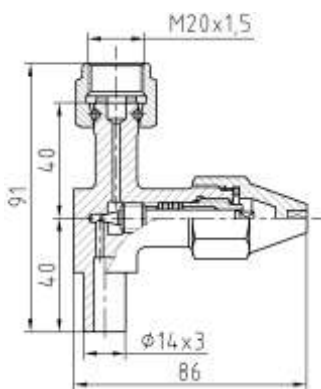
**ZMKg** – Angle manometer valve with a threaded end.

**ZMKz** – Angle manometer valve with a screwed coupling.

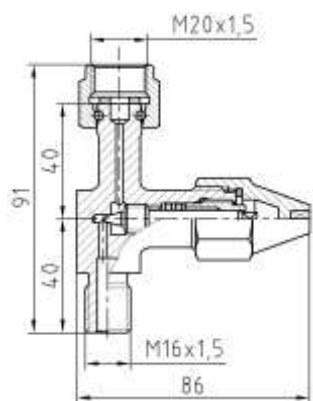
**ZMPp** – Throughway manometer valve with a plain end (to be welded on).

**ZMPg** – Throughway manometer valve with a threaded end.

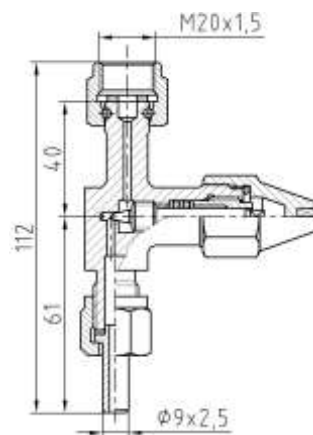
**ZMPz** – Throughway manometer valve with a screwed coupling.



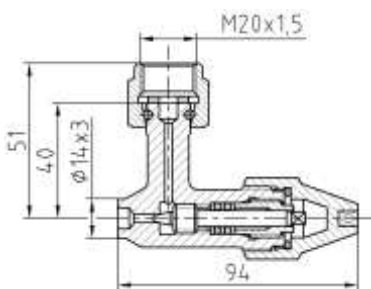
**ZMPp**



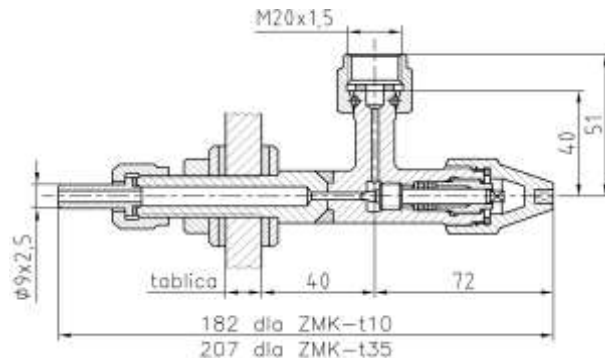
**ZMPg**



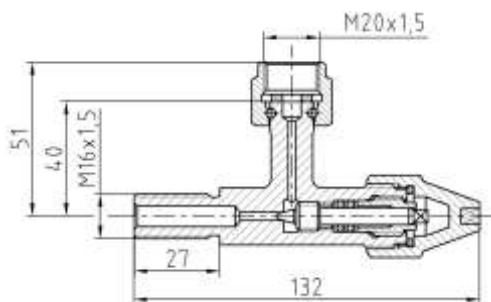
**ZMPz**



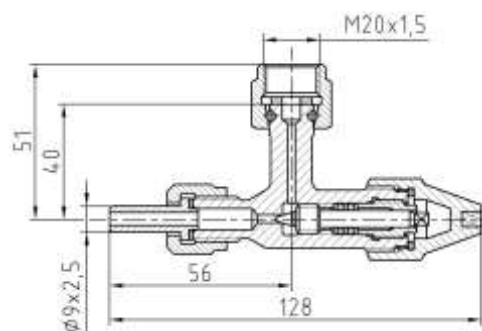
**ZMKp**



**ZMK-t10, ZMK-t35**



**ZMKg**



**ZMKz**

Type	ZMPp	ZMPg	ZMPz	ZMKp	ZMK-t10	ZMK-t35	ZMKg	ZMKz
Weight kg	0,30	0,30	0,35	0,30	0,40	0,45	0,30	0,35