

# VENT VALVES

## ZOAg, ZOAp, ZOAg, ZOAp



ZOXg

ZOAg



ZOAp

ZOXp

They are also used as vents in water and heating installations and as draining valves in compressed air tanks.

Working parameters:

Working pressure: 25 bar, temperature range: - 40°C / +150°C.

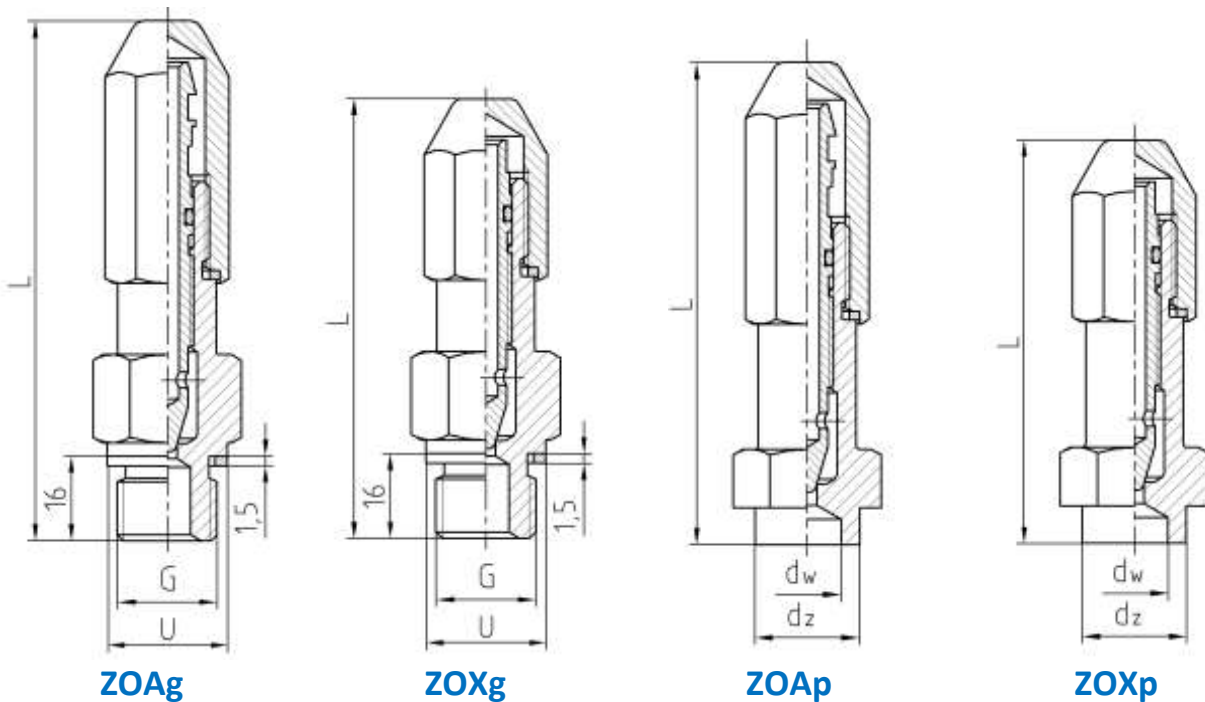
Working medium: ammonia, freons, LPG, air and others.

**ZOAg** – Ammonia vent valve, threaded end.

**ZOAp** – Ammonia vent valve, plain end (to be welded on).

**ZOXg** – Freon vent valve, threaded end.

**ZOXp** – Freon vent valve, plain end (to be welded on).



ZOAg

ZOXg

ZOAp

ZOXp

Type	L	G	dz	dw	U	Weight kg
ZOAg	98	M20x1,5	–	–	–	0,20
ZOXg	84	M20x1,5	–	–	–	0,15
ZOAp	93	–	21,5	15	24	0,20
ZOXp	79	–	21,5	15	24	0,15