

FLOW REGULATING VALVES

ZRPb, ZRPk, ZRPs, ZRKb, ZRkK, ZRKs

Nominal diameter range: 10 to 80 mm.

Regulating valves can be either throughway or angle valves, bolt and with or without flanges. Flangeless valves are equipped with connector pipes with dimensions in accordance with PN-80/H-74219 norm and with DIN 2448 standard (marked additionally with symbol: /D). Differences in dimensions are showed in the tables. All regulating valves have an unslidable spindle. Valves' leaktightness in closure position is secured by P.T.F.E. gasket pressed down by the valve head. The casing is made from welded high resistance P355 steel.

When the valve is fully open (by turning the handwheel left as far as possible), the inflow of the medium to the stuffing box is cut off, which makes it possible to replace the spindle gasket in a valve that is under pressure. If frequent opening and closing of the valve is not required, semi-hermetic valves with a cap can be installed, in which the cap covers tightly the upper part of the spindle and the gland seal. After reversing the cap, it can be used as a handwheel.

Working parameters for ZRPb 10-80, ZRKb 10-80:

working pressure: 25 bar, temperature range: - 40°C / +150°C.

Working parameters for ZRPk 10-80, ZRkK 10-80:

working pressure: 25 bar, temperature range: - 40°C / +150°C.

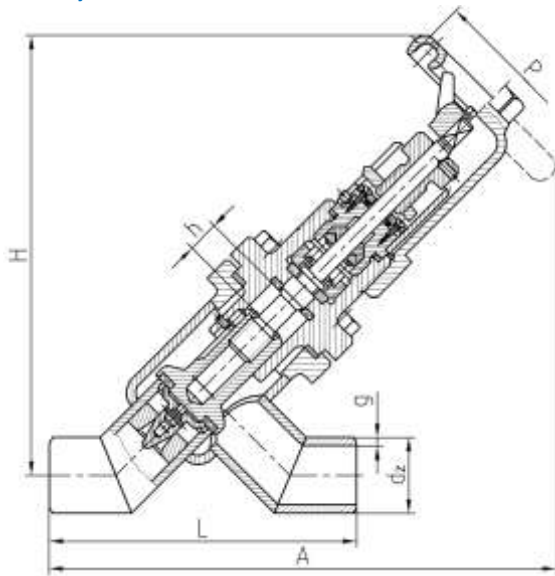
Working parameters for ZRPs 10-20, ZRKs 10-20:

working pressure: 25 bar, temperature range: - 40°C / +150°C.

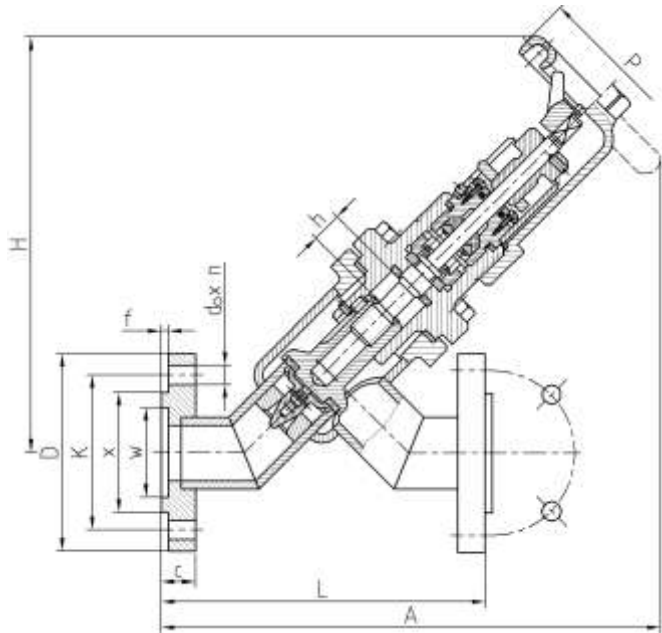
Working medium: refrigerants.



ZRPb, ZRPk – THROUGHWAY FLOW REGULATING VALVES



ZRPb



ZRPk

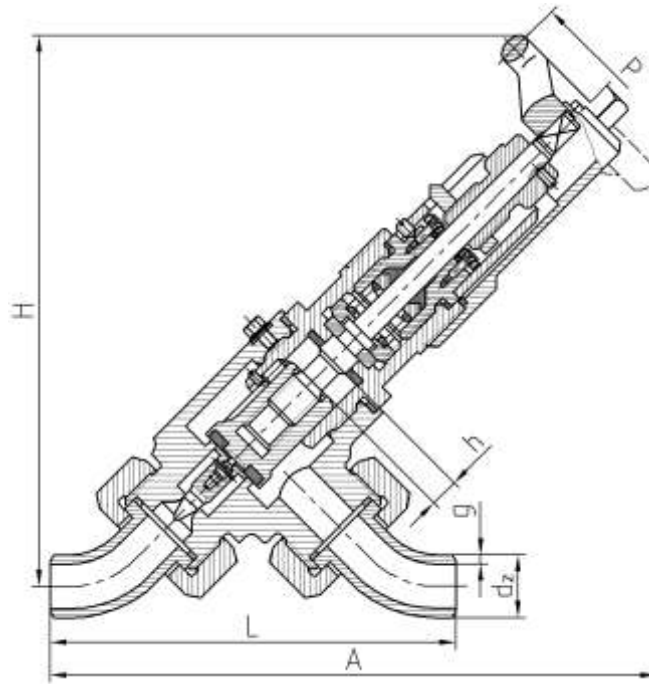
THROUGHWAY FLOW REGULATING FLANGELESS VALVES - dimensions (mm)

Type and DN	d ₂ xg	L	H	h	A	P	Kvs m ³ /h	Weight [kg]
ZRPb 10	14 x 2,5	120	174	7,5	193	64	0,5	1,3
ZRPb 10/D	17,2 x 2,5							
ZRPb 15	20 x 3,2	130	178	9,5	197	64	1,0	1,3
ZRPb 15/D	21,3 x 3,2							
ZRPb 20	25 x 3,2	150	187	12,5	213	64	1,5	1,6
ZRPb 20/D	26,9 x 3,2							
ZRPb 25	30 x 3,2	137	180	12,5	213	64	1,9	1,7
ZRPb 25/D	33,7 x 3,2							
ZRPb 32	38 x 3,6	166	228	16	262	100	3,0	3,4
ZRPb 32/D	42,4 x 3,2							
ZRPb 40	44,5 x 3,6	177	235	19	276	100	5,0	4,8
ZRPb 40/D	48,3 x 3,6							
ZRPb 50	57 x 4	207	277	22	318	140	7,0	6,8
ZRPb 50/D	60,3 x 3,6							
ZRPb 65	76,1 x 4	267	303	28	330	140	9,5	11,1
ZRPb 80	88,9 x 4,5	287	342	32	370	160	14,0	15,0

THROUGHWAY FLOW REGULATING FLANGED VALVES - dimensions (mm)

Type and DN	L	A	H	h	P	D	K	w	x	f	c	d ₀ xn	Kvs m ³ /h	Weight kg
ZRPk 10	136	172	174	7,5	64	90	60	24	34	4	14	14x4	0,5	2,4
ZRPk 15	146	175	178	9,5	64	95	65	29	39	4	14	14x4	1,0	2,7
ZRPk 20	166	190	187	12,5	64	105	75	36	50	4	16	14x4	1,5	3,5
ZRPk 25	160	196	180	12,5	64	115	85	43	57	4	16	14x4	1,9	4,0
ZRPk 32	182	250	228	16	100	140	100	51	65	4	18	18x4	3,0	7,1
ZRPk 40	200	255	235	19	100	150	110	61	75	4	18	18x4	5,0	8,8
ZRPk 50	230	300	277	22	140	165	125	73	87	4	20	18x4	7,0	12,0
ZRPk 65	290	335	303	28	140	185	145	95	109	4	22	18x8	9,5	16,7
ZRPk 80	310	370	356	32	160	200	160	106	120	4	24	18x8	14,0	23,0

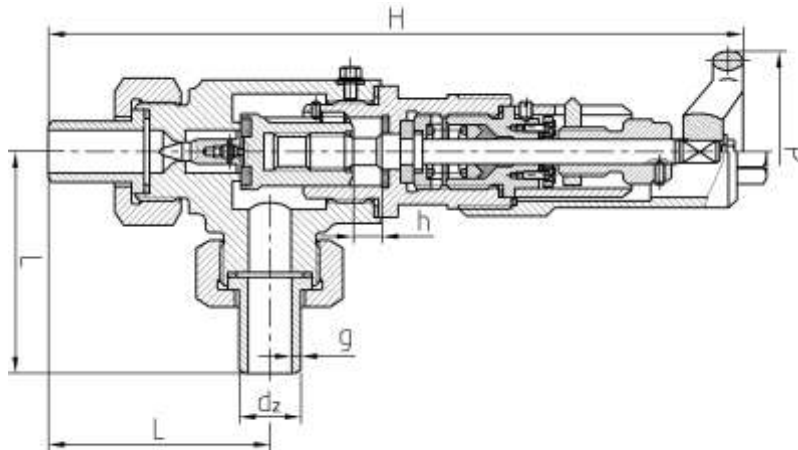
ZRPs– THROUGHWAY REGULATING VALVE WITH CONNECTORS



THROUGHWAY REGULATING VALVES WITH CONNECTORS - dimensions (mm)

Type and DN	dxg	L	H	h	A	P	Kvs m ³ /h	Weight [kg]
ZRPs 10	14 x 2,5	120	174	7,5	193	64	0,5	1,7
ZRPs 15	20 x 3,2	130	178	9,5	197	64	1,0	1,8
ZRPs 20	25 x 3,2	150	187	12,5	187	64	1,5	2,5

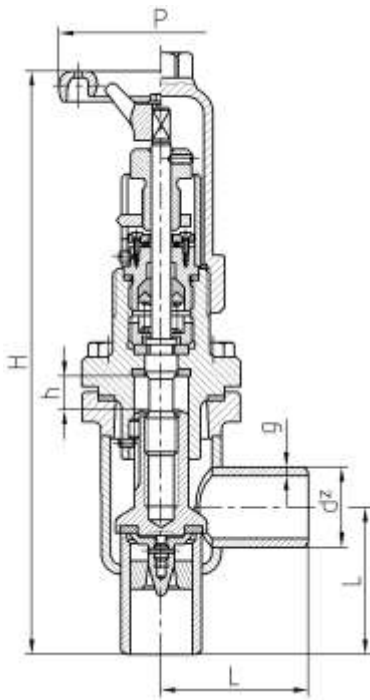
ZRKs – ANGLE FLOW REGULATING VALVES WITH CONNECTORS



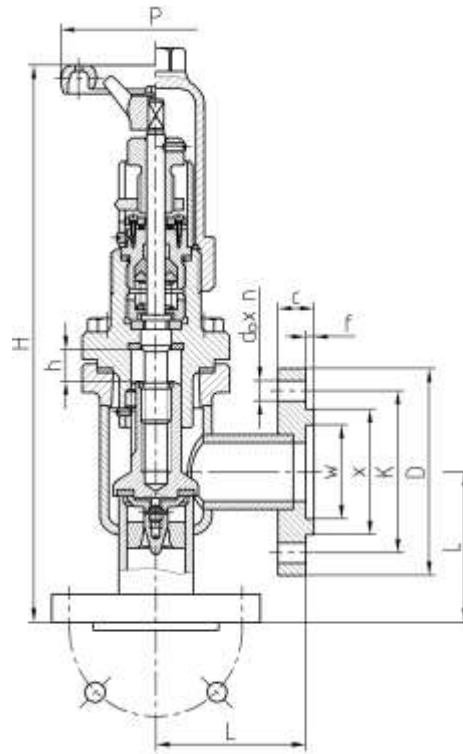
ANGLE FLOW REGULATING VALVES WITH CONNECTORS - dimensions (mm)

Type and DN	dxg	L	H	h	P	Kvs m ³ /h	Weight [kg]
ZRKs 10	14 x 2,5	80	229	7,5	64	0,5	1,2
ZRKs 15	20 x 3,2	85	229	9,5	64	1,0	1,6
ZRKs 20	25 x 3,2	90	233	12,5	64	1,5	2,1

ZRKb, ZRkK - ANGLE FLOW REGULATING VALVES



ZRKb



ZRkK

ANGLE FLOW REGULATING FLANGELESS VALVES - dimensions (mm)

Type and DN	d ₂ xg	L	H	h	P	Kvs	Weight
ZRKb 10	14 x 2,5	80	229	7,5	64	0,5	1,1
ZRKb 10/D	17,2 x 2,5						
ZRKb 15	20 x 3,2	85	229	9,5	64	1,0	1,5
ZRKb 15/D	21,3 x 3,2						
ZRKb 20	25 x 3,2	90	233	12,5	64	1,5	1,6
ZRKb 20/D	26,9 x 3,2						
ZRKb 25	30 x 3,2	88	241	12,5	64	1,9	1,7
ZRKb 25/D	33,7 x 3,2						
ZRKb 32	38 x 3,6	93	285	16	100	3,0	3,2
ZRKb 32/D	42,4 x 3,2						
ZRKb 40	44,5 x 3,6	103	312	19	100	5,0	3,8
ZRKb 40/D	48,3 x 3,6						
ZRKb 50	57 x 4	113	347	22	140	7,0	6,4
ZRKb 50/D	60,3 x 3,6						
ZRKb 65	76,1 x 4	133	367	28	140	9,5	9,3
ZRKb 80	88,9 x 4,5	143	379	32	160	14,0	11,8

ANGLE FLOW REGULATING VALVES WITH FLANGES - dimensions (mm)

Type and DN	L	H	h	P	D	K	w	x	f	c	d ₀ xn	Kvs m ³ /h	Weight kg
ZRkK 10	96	235	7,5	64	90	60	24	34	4	14	14x4	0,5	2,4
ZRkK 15	101	235	9,5	64	95	65	29	39	4	14	14x4	1,0	3,0
ZRkK 20	106	239	12,5	64	105	75	36	50	4	16	14x4	1,5	3,6
ZRkK 25	100	247	12,5	64	115	85	43	57	4	16	14x4	1,9	3,4
ZRkK 32	105	289	16	100	140	100	51	65	4	18	18x4	3,0	6,2
ZRkK 40	115	317	19	100	150	110	61	75	4	18	18x4	5,0	7,0
ZRkK 50	125	353	22	140	165	125	73	87	4	20	18x4	7,0	10,4
ZRkK 65	145	385	28	140	185	145	95	109	4	22	18x8	9,5	16,1
ZRkK 80	155	415	32	160	200	160	106	120	4	24	18x8	14,0	20,3