

SERVICE VALVES

ZSI-8

Nominal diameter 8 mm.



The service valve is used to empty part of the installation from the working medium.

After reversing the cap, it can be used as a handwheel.

The casing is made from P355 steel, spindle is made of stainless steel.

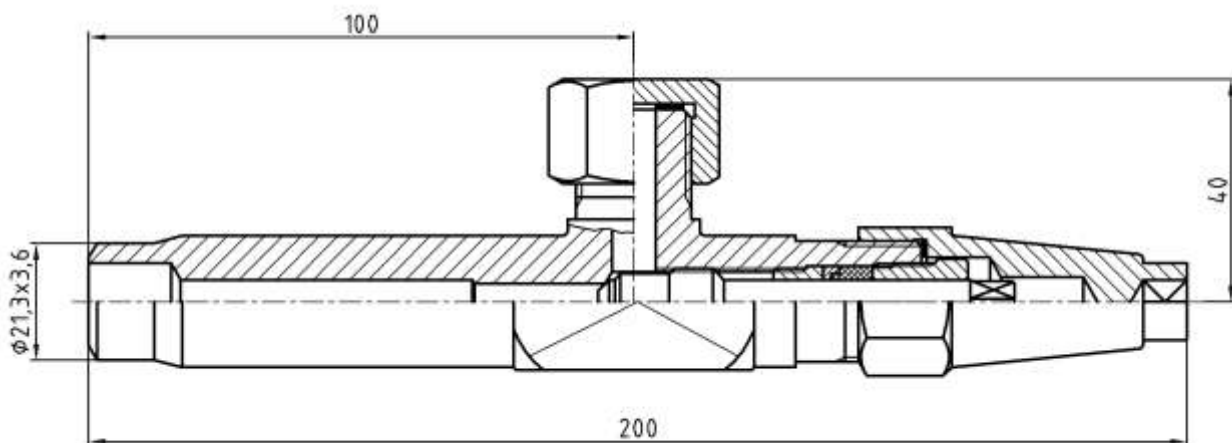
Seal: metal/metal. Gland seal: P.T.F.E.

Afer using the nipple, service valve can be use as a manometer valve.

Working parameters:

Working pressure: 25 bar, temperature range: - 40°C / +150°C.

Working medium: ammonia, freons, LPG, air and other non-aggressive gases.



ZSI-8

SERVICE VALVE - dimensions (mm)