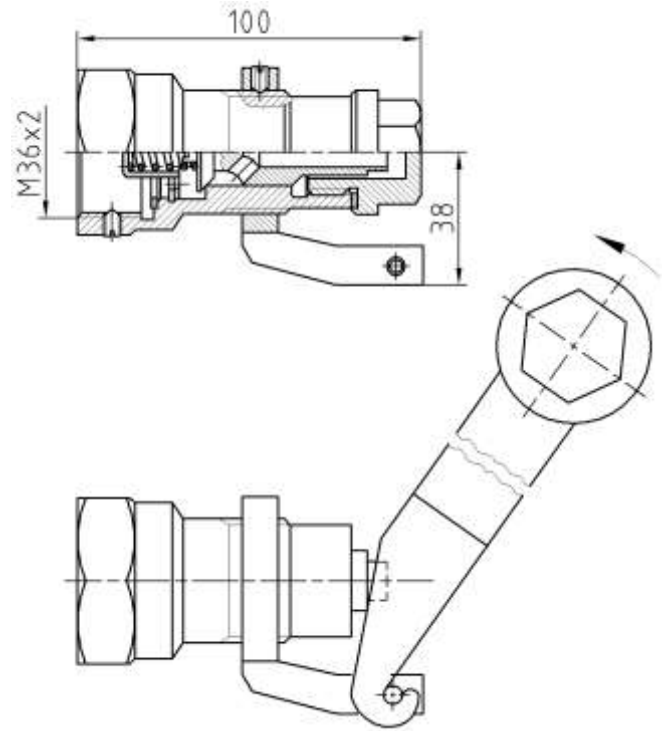


TRIGGER VALVE

ZS 10

Nominal diameter: 10 mm.



Masa: 1,0 kg

Application: Cooling equipment and others – for deoiling freon or ammonia installations as well as for fast draining of media: propane/butane, air or other gases.

Working medium: ammonia, freons, propane/butane and other non-aggressive media.

ZS 10 – Trigger valve of DN 10 mm.

This valve mates with valves **ZOPo 10** and **ZOKo 10**.

