

THREE-WAY VALVES

ZTb, ZTk, ZT.. any terminal combination

Nominal diameter range: 10 to 100 mm.

Three-way valves are designed to cut off the flow of the medium from the installation (system) to safety valves installed at outlet flanges. One of the safety valves is always connected to the installation (system). The intermediate position of the valve head allows for the working medium flow through two outlet connector pipes. It can be also used as a distribution valve and be adopted to other functions.

Three-way valves are manufactured either with flange connections (ZTk type) or with an end to be welded on (ZTb). The casing is made from welded high resistance P355 steel. Teflon gaskets P.T.F.E. are used to seal the closure and for external sealing.

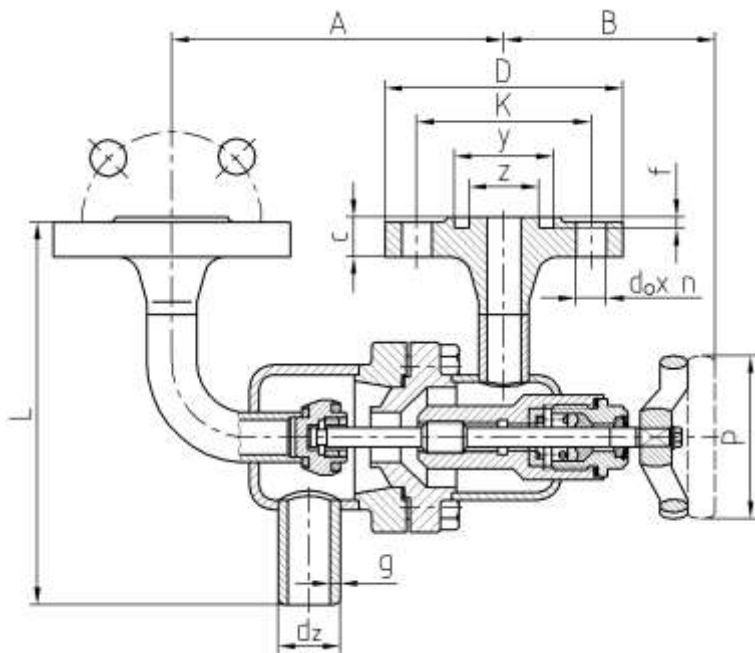
Working parameters for ZTb 10-100 and for ZTk 10-100:
working pressure 25 bar, temperature range: - 40°C / +150°C.

Working medium: ammonia, freons, LPG, air and other non-aggressive gases.



Attention. Three-way valves may be made with different connection systems. The following terminals are possible: collared terminals, bolt, collarless (for welding on), or any other combination of these terminal connections.

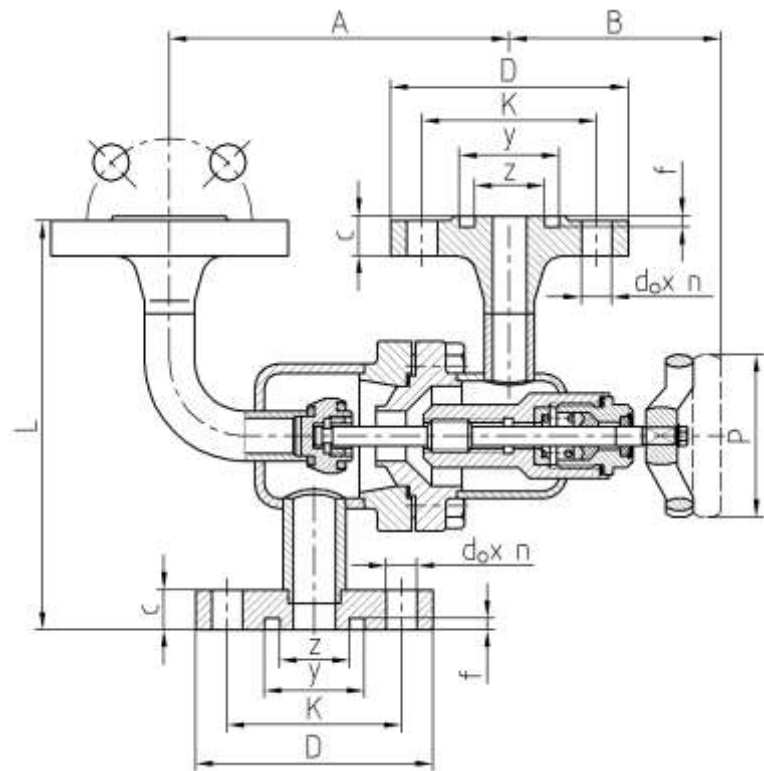
ZTb - THREE-WAY VALVE WITHOUT FLANGE (on the inlet side)



THREE-WAY VALVES WITHOUT FLANGE - dimensions (mm)

Type and DN	L	A	B	d _z xg	D	K	y	z	f	c	d ₀ xn	P	Weight [kg]
ZTb 10	151	136	95	25x3,2	90	60	35	23	3	14	14x4	64	3,7
ZTb 15	154	136	95	25x3,2	95	65	40	28	3	14	14x4	64	3,9
ZTb 20	158	156	95	30x3,2	105	75	51	35	3	16	14x4	64	4,8
ZTb 25	158	161	95	33,7x3,2	115	85	58	42	3	16	14x4	64	5,4
ZTb 32	173	188	125	38x3,6	140	100	66	50	3	18	18x4	100	8,0
ZTb 40	183	242	136	51x 6,3	150	110	76	60	3	18	18x4	100	10,4
ZTb 50	218	255	161	63,5x8	165	125	88	72	3	20	18x4	140	16,7
ZTb 65	238	334	168	88,9x10	185	145	110	94	3	22	18x8	140	24,0
ZTb 80	290	390	275	101,6x8	200	160	121	105	3	24	18x8	200	34,8
ZTb 100	342	420	275	121x10	235	190	150	128	3,5	26	22x8	200	48,3

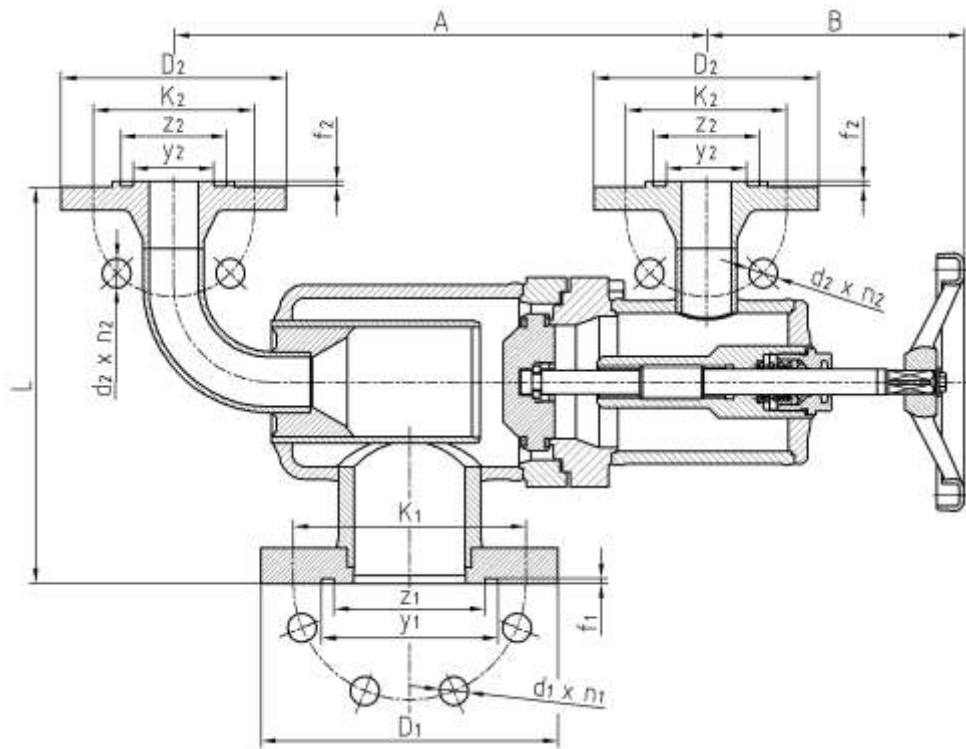
ZTk - THREE-WAY VALVE WITH FLANGES



THREE-WAY VALVES WITH FLANGES - dimensions (mm)

Type and DN	L	A	B	D	K	y	z	f	c	d ₀ xn	P	Weight [kg]
ZTk 10	163	136	95	90	60	35	23	3	14	14x4	64	4,4
ZTk 15	166	136	95	95	65	40	28	3	14	14x4	64	4,7
ZTk 20	170	156	95	105	75	51	35	3	16	14x4	64	5,6
ZTk 25	170	161	95	115	85	58	42	3	16	14x4	64	6,5
ZTk 32	185	188	125	140	100	66	50	3	18	18x4	100	10,0
ZTk 40	200	242	136	150	110	76	60	3	18	18x4	100	12,8
ZTk 50	230	255	161	165	125	88	72	3	20	18x4	140	19,4
ZTk 65	250	334	168	185	145	110	94	3	22	18x8	140	27,4
ZTk 80	300	390	275	200	160	121	105	3	24	18x8	200	38,9
ZTk 100	350	420	275	235	190	150	128	3,5	26	22x8	200	54,2

ZTk DN₁/DN₂ - THREE-WAY FLANGE VALVE WITH A VARIABLE DN

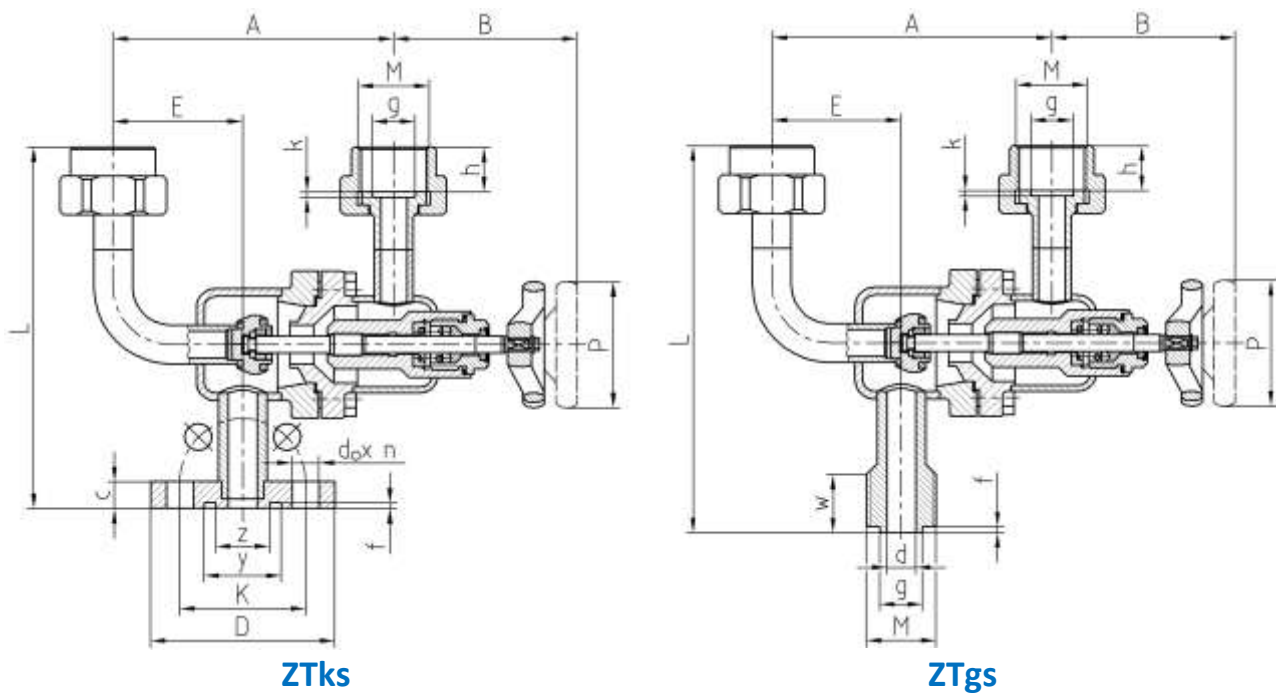


THREE-WAY FLANGE VALVES (DN₁ inlet / DN₂ outlet) – dimensions in mm

Type and DN	L	A	B	D ₁	K ₁	y ₁	z ₁	f ₁	d ₁ xn ₁	D ₂	K ₂	y ₂	z ₂	f ₂	d ₂ xn ₂	Weight [kg]
ZTk 50/25	230	255	161	165	125	88	72	3	18x4	115	85	58	42	3	14x4	15,9
ZTk 65/32	332	250	168	185	145	110	94	3	18x8	140	100	66	50	3	18x4	23,9
ZTk 65/40	345	255	168	185	145	110	94	3	18x8	150	110	76	60	3	18x4	24,4
ZTk 100/80	300	390	275	235	190	150	128	3,5	22x8	200	160	121	105	3	18x8	40,4

ZTks - THREE-WAY FLANGE BOLT VALVE

ZTgs - THREE-WAY BOLT VALVE WITH A THREADED CONNECTOR PIPE

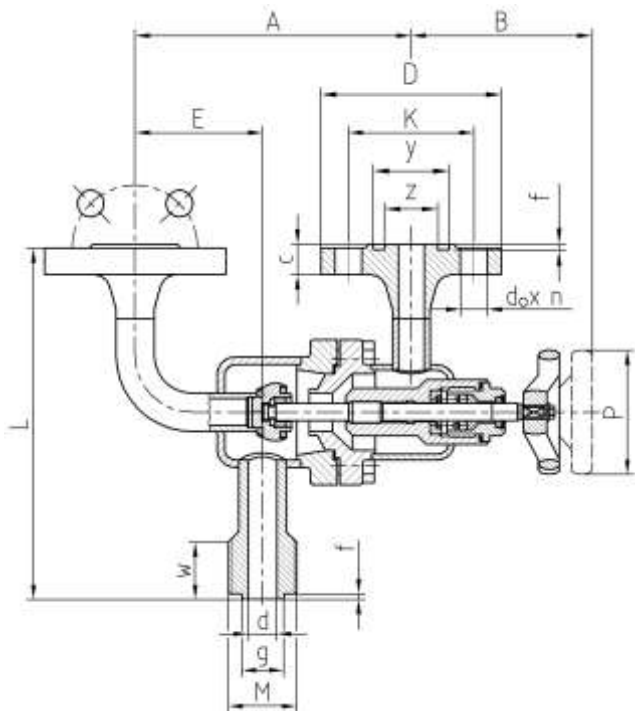


ZTks

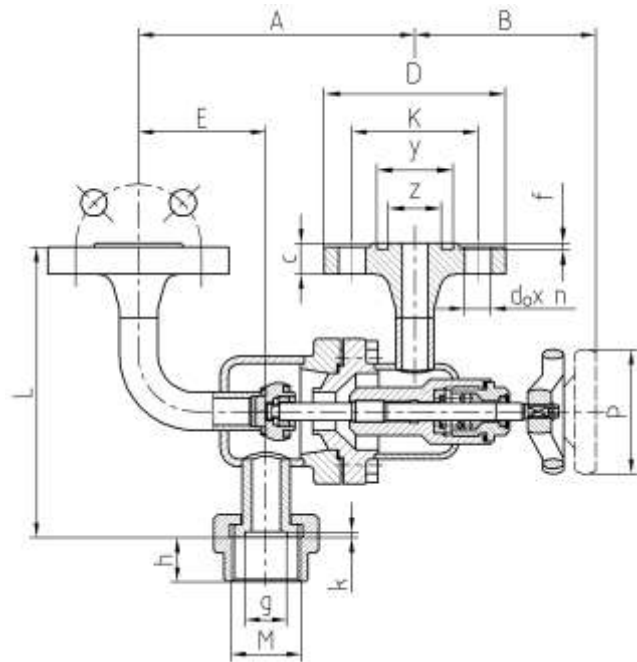
ZTgs

ZTgk - THREE-WAY FLANGE VALVE WITH A THREADED CONNECTOR PIPE

ZTsk - THREE-WAY BOLT FLANGE VALVE



ZTgk



ZTsk

ZTks - dimensions (mm)

Type and DN	L	A	B	E	D	K	y	z	f	c	d _o xn	M	g	h	k	P	Weight [kg]
ZTks 15	155	145	85	67	95	65	40	28	3	14	14x4	36x2	22	23	3	64	3,8
ZTks 25	155	160	85	72	115	85	58	42	3	16	14x4	48x2	32	23	3	64	4,9

ZTgs - dimensions (mm)

Type and DN	L	A	B	E	M	g	h	k	w	f	d	P	Weight [kg]
ZTgs 15	200	145	85	67	36x2	22	23	3	30	3	15	64	3,3
ZTgs 25	200	160	85	72	48x2	32	23	3	40	3	25	64	4,0

ZTgk - dimensions (mm)

Type and DN	L	A	B	E	D	K	y	z	f	c	d _o xn	M	g	d	w	P	Weight [kg]
ZTgk 15	157	145	85	67	95	65	40	28	3	14	14x4	36x2	22	15	30	64	3,9
ZTgk 25	162	160	85	72	115	85	58	42	3	16	14x4	48x2	32	25	40	64	5,2

ZTsk - dimensions (mm)

Type and DN	L	A	B	E	D	K	y	z	f	c	d _o xn	M	g	h	k	P	Weight [kg]
ZTsk 15	154	145	85	67	95	65	40	28	3	14	14x4	36x2	22	23	3	64	4,1
ZTsk 25	158	160	85	72	115	85	58	42	3	16	14x4	48x2	32	23	3	64	5,6