

NON-RETURN VALVES

ZZPb, ZZPk, ZZPs, ZZKb, ZZKk, ZZKs

Nominal diameter range: 10 to 200 mm.

Non-return valves prevent the working medium from returning during its flow through the installation. Flangeless valves are equipped with connector pipes with dimensions in accordance with PN-80/H-74219 norm and with DIN 2448 standard (marked additionally with symbol: /D). Differences in dimensions are showed in the tables. They can be either throughway or angle valves, bolt and with or without flanges. Valves' leaktightness in closure position is secured by P.T.F.E. gasket pressed down by the valve head. The casing is made from welded high resistance P355 steel. The valve head is made of aluminium alloy.

Working parameters for ZZPb 10-200, ZZKb 10-200:
working pressure: 25 bar, temperature range: - 40°C / +150°C.

Working parameters for ZZPk 10-200, ZZKk 10-200:
working pressure: 25 bar, temperature range: - 40°C / +150°C.

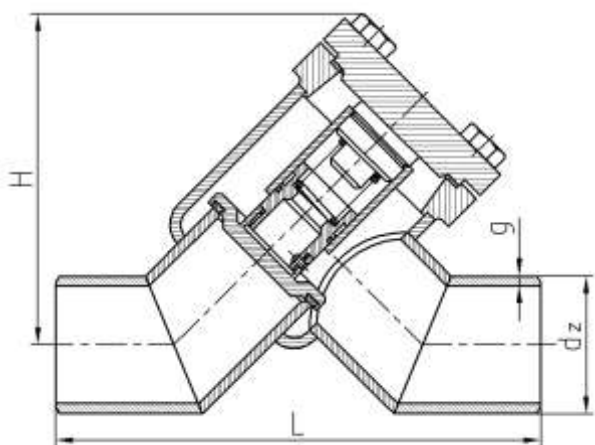
Working parameters for ZZPs 10-20, ZZKs 10÷20:
working pressure: 25 bar, temperature range: - 40°C / +150°C.

Working medium: ammonia, freons, LPG, air and other non-aggressive gases.

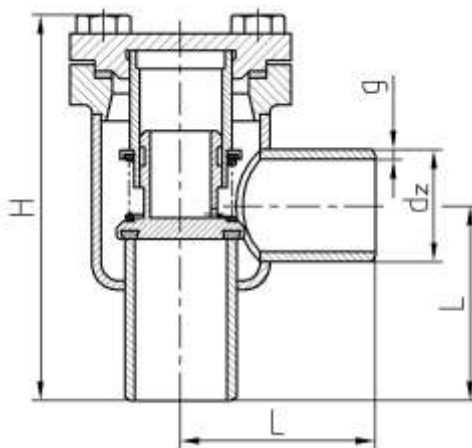


NON-RETURN FLANGELESS VALVES

ZZPb - THROUGHWAY NON-RETURN FLANGELESS VALVE



ZZKb - ANGLE NON-RETURN FLANGELESS VALVE

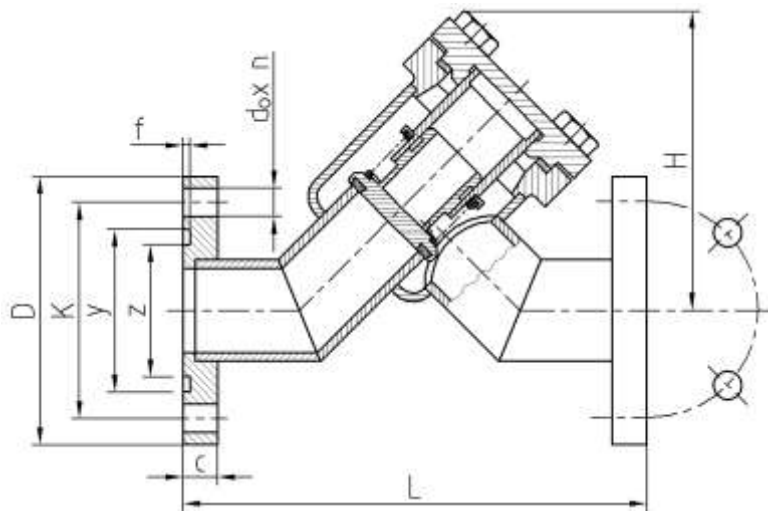


NON-RETURN FLANGELESS VALVES - dimensions (mm)

Type and DN	dz x g	L	H	Weight [kg]
ZZPb 10	14 x 2,5	120	92	0,7
ZZPb 10/D	17,2 x 2,5			
ZZPb 15	20 x 3,2	130	95	0,7
ZZPb 15/D	21,3 x 3,2			
ZZPb 20	25 x 3,2	150	105	1,0
ZZPb 20/D	26,9 x 3,2			
ZZPb 25	30 x 3,2	137	96	1,2
ZZPb 25/D	33,7 x 3,2			
ZZPb 32	38 x 3,6	166	126	2,3
ZZPb 32/D	42,4 x 3,2			
ZZPb 40	44,5 x 3,6	177	130	2,9
ZZPb 40/D	48,3 x 3,6			
ZZPb 50	57 x 4	207	162	4,6
ZZPb 50/D	60,3 x 3,6			
ZZPb 65	76,1 x 4	267	188	8,2
ZZPb 80	88,9 x 4,5	287	215	10,5
ZZPb 100	108 x 5	327	247	15,0
ZZPb 100/D	114,3 x 5			
ZZPb 125	133 x 6,3	377	292	26,0
ZZPb 125/D	139,7 x 6,3			
ZZPb 150	159 x 6,3	455	342	34,5
ZZPb 150/D	168,3 x 6,3			
ZZPb 200	219,1 x 8	572	430	46,2

Type and DN	dz x g	L	H	Weight [kg]
ZZKb 10	14 x 2,5	80	136	0,7
ZZKb 10/D	17,2 x 2,5			
ZZKb 15	20 x 3,2	85	136	0,7
ZZKb 15/D	21,3 x 3,2			
ZZKb 20	25 x 3,2	88	155	1,0
ZZKb 20/D	26,9 x 3,2			
ZZKb 25	30 x 3,2	90	155	1,2
ZZKb 25/D	33,7 x 3,2			
ZZKb 32	38 x 3,6	93	166	2,0
ZZKb 32/D	42,4 x 3,2			
ZZKb 40	44,5 x 3,6	103	178	2,5
ZZKb 40/D	48,3 x 3,6			
ZZKb 50	57 x 4	113	204	5,2
ZZKb 50/D	60,3 x 3,6			
ZZKb 65	76,1 x 4	133	242	7,4
ZZKb 80	88,9 x 4,5	143	265	9,5
ZZKb 100	108 x 5	163	322	14,2
ZZKb 100/D	114,3 x 5			
ZZKb 125	133 x 6,3	188	333	22,0
ZZKb 125/D	139,7 x 6,3			
ZZKb 150	159 x 6,3	212	377	31,2
ZZKb 150/D	168,3 x 6,3			
ZZKb 200	219,1 x 8,8	261	500	43,7

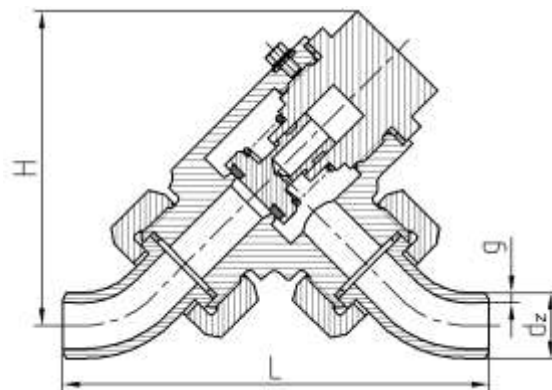
ZZPk - THROUGHWAY NON-RETURN VALVES WITH FLANGES



THROUGHWAY NON-RETURN VALVES WITH FLANGES - dimensions (mm)

Type and DN	L	H	D	K	y	z	f	c	d _o xn	Weight kg
ZZPk 10	136	92	90	60	35	23	3	14	14x4	1,9
ZZPk 15	146	95	95	65	40	28	3	14	14x4	2,1
ZZPk 20	166	105	105	75	51	35	3	16	14x4	2,6
ZZPk 25	160	112	115	85	58	42	3	16	14x4	3,0
ZZPk 32	182	126	140	100	66	50	3	18	18x4	5,8
ZZPk 40	200	130	150	110	76	60	3	18	18x4	7,2
ZZPk 50	230	162	165	125	88	72	3	20	18x4	10,2
ZZPk 65	290	188	185	145	110	94	3	22	18x8	15,0
ZZPk 80	310	215	200	160	121	105	3	24	18x8	19,7
ZZPk 100	350	247	235	190	150	128	3,5	26	22x8	29,0
ZZPk 125	400	292	270	220	176	154	3,5	28	26x8	39,5
ZZPk 150	480	342	300	250	204	182	3,5	30	26x8	55,3
ZZPk 200	600	430	360	310	260	238	3,5	32	26x12	64,9

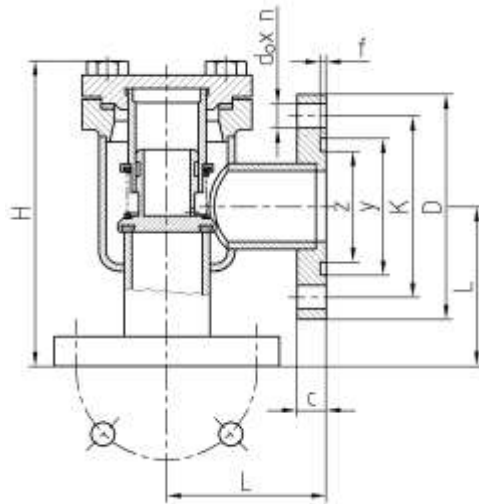
ZZPs – THROUGHWAY NON-RETURN VALVE WITH CONNECTORS



THROUGHWAY NON-RETURN VALVES WITH CONNECTORS - dimensions (mm)

Type and DN	d _x g	L	H	Weight [kg]
ZZPs 10	14 x 2,5	120	92	1,1
ZZPs 15	20 x 3,2	130	95	1,2
ZZPs 20	25 x 3,2	150	105	1,3

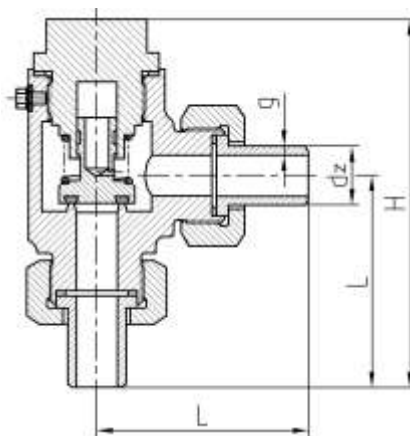
ZZKk - ANGLE NON-RETURN VALVE WITH FLANGES



ANGLE NON-RETURN VALVES WITH FLANGES - dimensions (mm)

Type and DN	L	H	D	K	y	z	f	c	d ₀ xn	Weight kg
ZZKk 10	96	140	90	60	35	23	3	14	14x4	1,9
ZZKk 15	101	141	95	65	40	28	3	14	14x4	2,1
ZZKk 20	105	160	105	75	51	35	3	16	14x4	2,5
ZZKk 25	100	165	115	85	58	42	3	16	14x4	2,8
ZZKk 32	105	180	140	100	66	50	3	18	18x4	5,1
ZZKk 40	115	190	150	110	76	60	3	18	18x4	5,8
ZZKk 50	125	215	165	125	88	72	3	20	18x4	8,4
ZZKk 65	145	255	185	145	110	94	3	22	18x8	14,2
ZZKk 80	155	283	200	160	121	105	3	24	18x8	18,0
ZZKk 100	175	335	235	190	150	128	3,5	26	22x8	26,3
ZZKk 125	200	345	270	220	176	154	3,5	28	26x8	37,5
ZZKk 150	225	390	300	250	204	182	3,5	30	26x8	52,0
ZZKk 200	275	510	360	310	260	238	3,5	32	26x12	75,1

ZZKs – ANGLE NON-RETURN VALVE WITH CONNECTORS



ANGLE NON-RETURN VALVES WITH CONNECTORS - dimensions (mm)

Type and DN	d x g	L	H	Weight [kg]
ZZKs 10	14 x 2,5	80	136	1,1
ZZKs 15	20 x 3,2	85	136	1,2
ZZKs 20	25 x 3,2	90	155	1,3